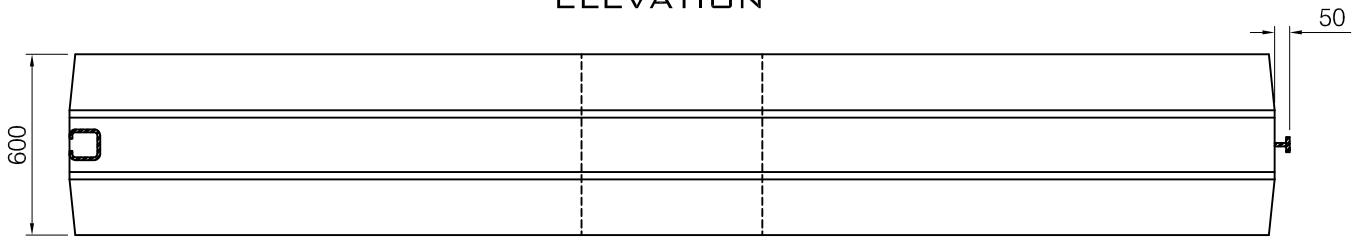
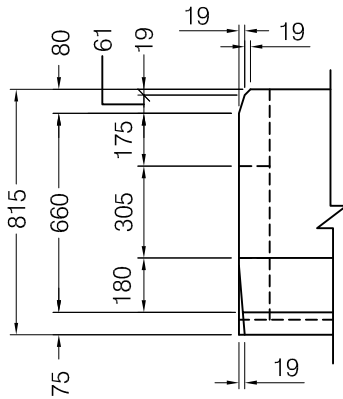


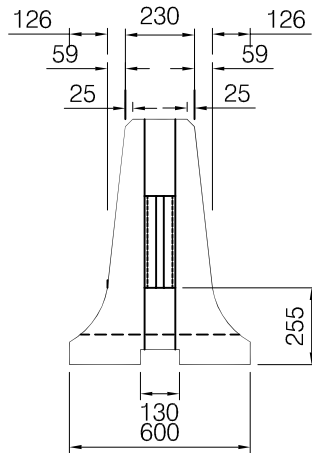
ELEVATION



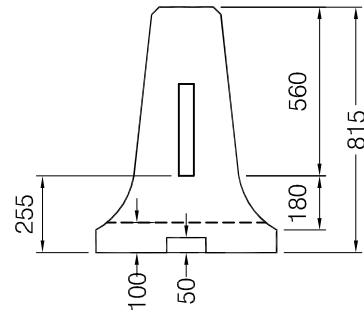
PLAN



DETAIL A



END VIEW DETAIL  
FEMALE CONNECTOR



END VIEW DETAIL  
MALE CONNECTOR

Notes:

1. Manufactured in accordance with:
  - OPSD 911.180
  - OPSS 1350
  - OPSS 1352
  - Special Provision No. 740S06
2. Reinforcing and connectors as per OPSD 911.180
3. Concrete strength: 35 MPa @ 28 days min.
4. Concrete cover 50mm minimum.
5. Drawing refers to precast component only.
6. Weight = 2,563 kgs
7. All dimensions in millimetres unless otherwise noted.

DWG. No.  
M CON 911.180

TOLERANCE: AS PER SPECIAL PROVISION 740S06		NOTES: MIN CONC STRENGTH: 35 MPA CONC STRIPPING STRENGTH: 20 MPA CLEAR COVER: 50MM MIN. MIX DESIGN NO. 996/45 IN COMPLIANCE WITH: SP NO. 740S03		MCON PIPE & PRODUCTS STANDARD DRAWING	
ALL DIMENSIONS ARE IN MM UNLESS OTHERWISE NOTED		STANDARD: OPSD - 911.180		PRODUCT CODE:	
REV		DESCRIPTION		TITLE: <b>PRECAST CONCRETE BARRIER TYPE T CONNECTION - 4.0M OPSD 911.180</b>	
ENG		DATE		DRAWING BY: S.K.	
				CHECKED BY: S.K.	
				DATE: JUNE 9TH 2012	
				FILE	
				PAGE 1 OF 1	