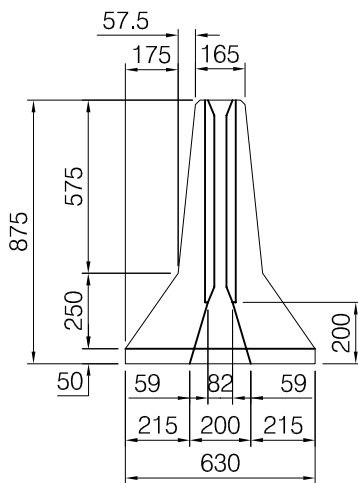
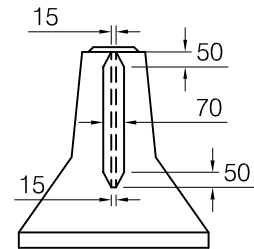


DETAIL A



**END VIEW DETAIL
FEMALE CONNECTOR**



**END VIEW DETAIL
MALE CONNECTOR**

Notes:

1. Manufactured in accordance with:
 - OPSD 911.233
 - OPSS 1350
 - OPSS 1352
 - Special Provision No. 740S06
2. Reinforcing and connectors as per OPSD 911.140
3. Concrete strength: 35 MPa @ 28 days min.
4. Concrete cover 50mm minimum.
5. Drawing refers to precast component only.
6. Weight = 2,554 kgs
7. All dimensions in millimetres unless otherwise noted.

DWG. No.
M CON 911.233

TOLERANCE: AS PER SPECIAL PROVISION 740S06		NOTES: MIN CONG STRENGTH: 35 MPA CONG STRIPPING STRENGTH: 20 MPA CLEAR COVER: 50MM MIN. MIX DESIGN NO. 996/45 IN COMPLIANCE WITH: SP No. 740S03		MCON PIPE & PRODUCTS STANDARD DRAWING				
				STD: OPSD - 911.233		PRODUCT CODE:		
				PRECAST CONCRETE BARRIER TRANSITION I LOCK BARRIER - 4.0M OPSD 911.233 BARRIER 2				
REV	DESCRIPTION	ENG	DATE	DRAWING BY: S.K.	CHECKED BY: S.K.	DATE APRIL 2020	FILE <small>© Precast/Prestressed Concrete Institute & Canada Precast/Prestressed Concrete Institute 2000 (PPCI)</small>	PAGE 1 OF 1