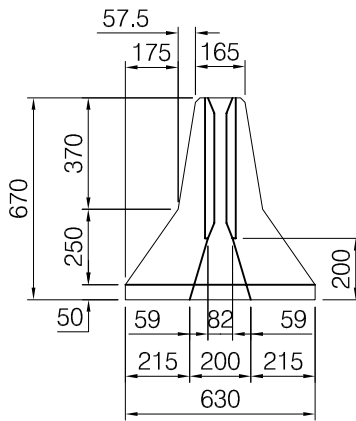
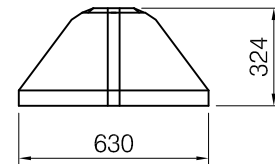


DETAIL A



END VIEW DETAIL  
FEMALE CONNECTOR



END VIEW DETAIL  
MALE CONNECTOR

Notes:

1. Manufactured in accordance with:
  - OPSD 911.233
  - OPSS 1350
  - OPSS 1352
  - Special Provision No. 740S06
2. Reinforcing and connectors as per OPSD 911.140
3. Concrete strength: 35 MPa @ 28 days min.
4. Concrete cover 50mm minimum.
5. Drawing refers to precast component only.
6. Weight = 1,726 kgs
7. All dimensions in millimetres unless otherwise noted.

DWG. No.  
M CON 911.233

TOLERANCE: AS PER SPECIAL PROVISION 740S06		NOTES: MIN CONG STRENGTH: 35 MPA CONG STRIPPING STRENGTH: 20 MPA CLEAR COVER: 50MM MIN. MIX DESIGN NO. 996/45 IN COMPLIANCE WITH: SP No. 740S03		MCON PIPE & PRODUCTS STANDARD DRAWING			
ALL DIMENSIONS ARE IN MM UNLESS OTHERWISE NOTED				STD: OPSD - 911.233		PRODUCT CODE:	
				TITLE: <b>PRECAST CONCRETE BARRIER TRANSITION I LOCK BARRIER - 4.0M OPSD 911.233 BARRIER 1</b>			
REV	DESCRIPTION	ENG	DATE	DRAWING BY: S.K.	CHECKED BY: S.K.	DATE APRIL 2020	PAGE 1 OF 1