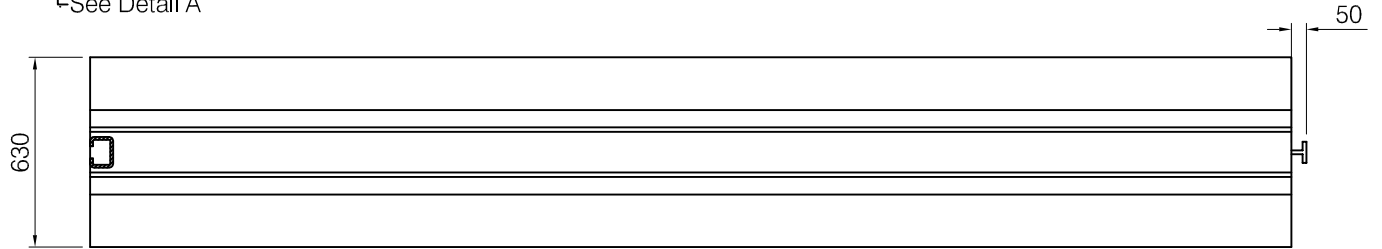
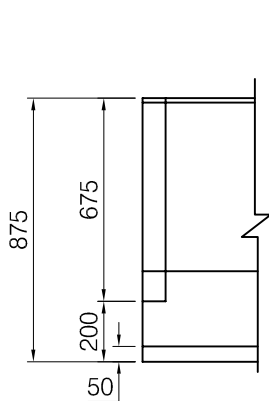


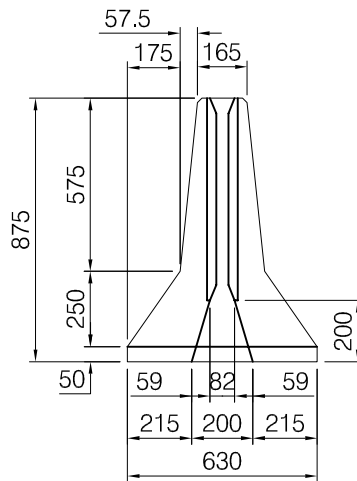
ELEVATION



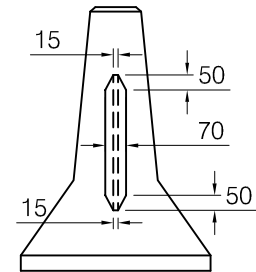
PLAN



DETAIL A



END VIEW DETAIL
FEMALE CONNECTOR



END VIEW DETAIL
MALE CONNECTOR

Notes:

1. Manufactured in accordance with:
 - OPSD 911.140
 - OPSS 1350
 - OPSS 1352
 - Special Provision No. 740S06
2. Reinforcing and connectors as per OPSD 911.140
3. Concrete strength: 35 MPa @ 28 days min.
4. Concrete cover 50mm minimum.
5. Drawing refers to precast component only.
6. Weight = 2,640 kgs
7. All dimensions in millimetres unless otherwise noted.

DWG. No.
M CON 911.140

| | | | | | |
|--|-------------|--|------|---|---------------------|
| TOLERANCE: AS PER SPECIAL PROVISION 740S06 | | NOTES: MIN CONC STRENGTH: 35 MPA CONC STRIPPING STRENGTH: 20 MPA CLEAR COVER: 50MM MIN. MIX DESIGN NO. 996/45 IN COMPLIANCE WITH: SP NO. 740S03 | | MCON PIPE & PRODUCTS STANDARD DRAWING | |
| ALL DIMENSIONS ARE IN MM UNLESS OTHERWISE NOTED | | | | STD: OPSD - 911.140 | |
| | | | | TITLE: PRECAST CONCRETE BARRIER TYPE I CONNECTION - 4.0M OPSD 911.140 | |
| REV | DESCRIPTION | ENG | DATE | DRAWING BY: S.K. | CHECKED BY: S.K. |
| | | | | DATE JUNE 9TH 2012 | FILE |
| | | | | | PAGE 1 OF 1 |